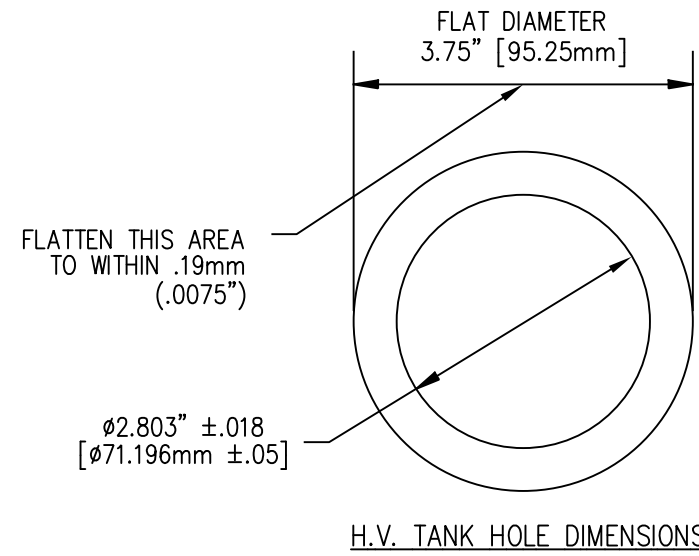


△△ H-J, MONTH/YEAR MANUFACTURED AND
 △ 15KV/125KV BIL MARKED ON SHED



REVISIONS					
NO.	DATE	ECN #	REMARKS	BY	APPD.
△1	3-10-03	HJ02-119	ADDED A NOTE.	CJT	SP
△2	2-16-04	HJ04-026	CHANGED DESCRIPTION AND ADDED A NOTE	JRM	SP
△3	5-13-04	HJ04-087	REVISED DESCRIPTION AND SHED MARKING, ADDED CERTIFICATION NOTE.	JRM	SP
△4	7-20-05	HJ05-059	RATING WAS 110KV BIL.	CJT	SP
△5	3-16-06	HJ06-022	ADDED TORQUE NOTE.	CJT	JM
△6	4-17-17	HJ17-093	CHGD CERT #, WAS NRF-008-CFE-2000-10- CFE 53100-84	TJF	BLB

NOTE:
 △ 1. RECOMMENDED INSTALLATION TORQUE LEVELS OF MOUNTING NUT IS 70±5 FT-LBS.

PORCELAIN NOTES:
 1. WET PROCESS ELECTRICAL PORCELAIN
 2. GREY GLAZE MUNSELL 5BG 7.0/0.4
 3. TOLERANCE ±3% WITH NOTHING LESS THAN ±.03.

△△ CERTIFIED BY CFE/LAPEM (CFE BE2N1100025) BASED ON MEXICAN STANDARD CFE 53100-84

TOLERANCES (EXCEPT AS NOTED) DECIMAL ±.032"/.8mm FRACTIONAL ± ANGULAR ±2°		H-J ENTERPRISES, INC. 3010 HIGH RIDGE BLVD. HIGH RIDGE, MO. 63049 USA PHONE 1-636-677-3421 FAX 1-636-376-1915	
		△△△ 15KV/125KV BIL NORMAL AMBIENT	
		MATERIAL CHK'D DATE 8-23-01	APP'D SCALE N.T.S.